

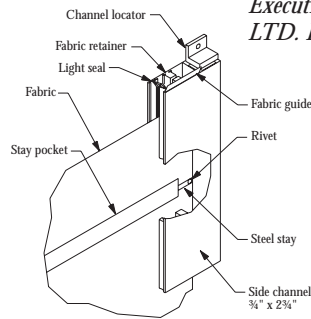
LightBloc FlexShade

For total darkness, specify LightBloc FlexShades. Ideal for audiovisual, conference and training rooms. Precision engineered and custom built for each opening. LightBloc FlexShades may be motorized or manually operated with bead chain clutch, crank or spring roller.

Choose from any of our opaque fabrics (refer to pages 23-24 for colors). When SunBloc SB9000 or SB9100 fabric is specified, our exclusive, patented Fabric Retention System prevents disengagement of fabric from the channels.

Durable anodized and painted finishes ensure an aesthetically pleasing installation. All hardware is available with black, white, ivory, clear anodized or charcoal bronze finish.

System includes aluminum headbox, side and sill channels. No light gap at the headbox/side channel connection. Headboxes available to recess or surface mount (standard). Internal light seals and opacity plates eliminate all light leaks. Light proof hem bar recessed into light proof side channel. To ensure total blackout, caulking around perimeter is recommended. U.S. Patent No. 5,323,831.



Inside mounting of LightBloc requires mounting angle, not shown.



LightBloc FlexShades installed at Little Rock (AR) Regional Chamber of Commerce, Executive Video Teleconference Room. Specified by Polk Stanley Yeary Architects, LTD. Photography by Timothy Hursley, Little Rock, AR.

Fabrics

Fabric selection is illustrated on pp. 18-24.

- **Flocké**
- **1260 & 1309**
- **Nocturne II**
- **Roc-rol™**
- **SunBloc Series SB9000/9100**

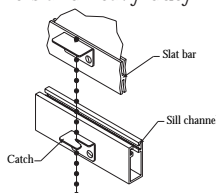
Operating Systems

Motorized Operation—for maximum reliability and convenience. Motor is located within the right or left end of the roller for smooth, reliable operation. A wide variety of control options are available: refer to page 12.

Crank Operator—offers complete reliability and precise light control, with virtually no effort. Even the largest shades operate smoothly. Compact bi-directional gear assembly can be mounted either right or left, as preferred. Crank hinges to form a thin, straight rod at edge of window when not in use. Crank operator can be permanently mounted or detached.

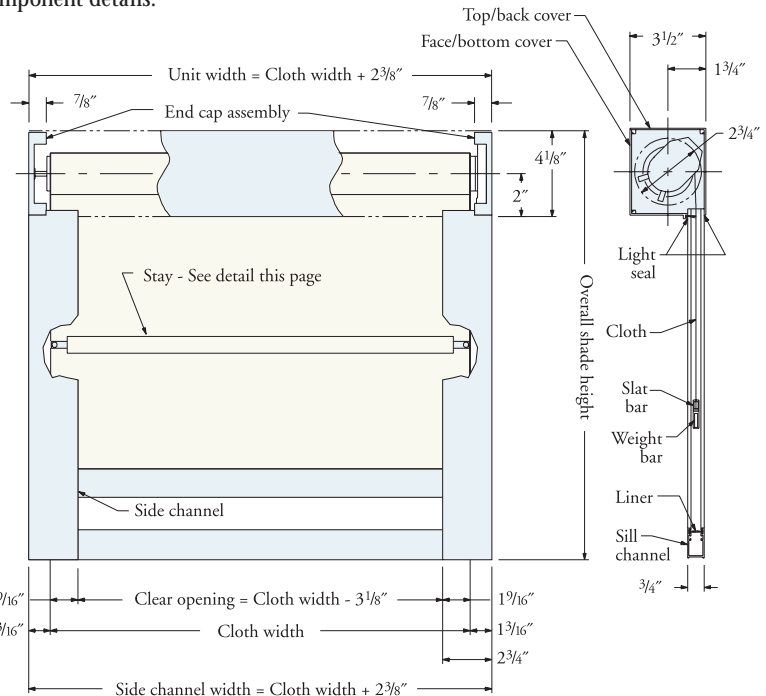
Bead Chain Clutch—Unlike competitive clutches, the Draper bi-directional clutch never needs adjusting and can be mounted either right or left. Shades stop when operating chain is released. Standard metal bead chain hangs at the side, leaving the view unobstructed. The optional chain hold-down is designed to keep children from getting tangled in the cord. Preset up and down stops prevent shades from being raised or lowered too far. Draper's unique Light Seal Kit prevents light from coming through where the chain exits the headbox.

Spring Roller—Galvanized steel rollers and heavy-duty springs sized to operate safely and reliably. Roller is under constant tension, with a latching chain at sill (see detail at right).



Dimensional Drawings—LightBloc System

Available in sizes through 8' wide x 10' high. Cannot be coupled. See page 14 for component details.



Note: For proper operation, LightBloc units must be installed square and plumb. Installers must be qualified craftsmen.